

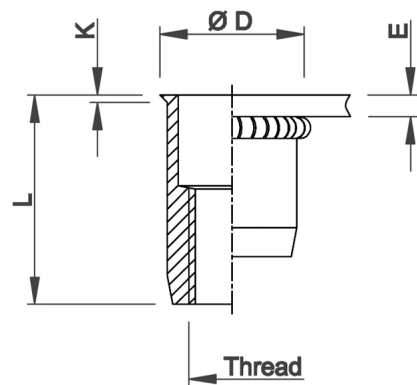
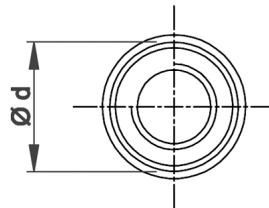
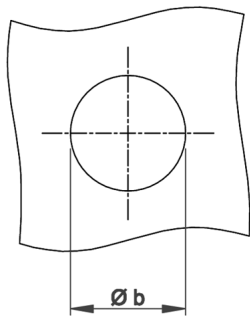


## Stainless Steel 304

Knurled shank  
Low profile head  
Open end

UKO KN / SKO KN

improved nominal knurl



THREAD	TYPE	E = grip	L	b <sup>+0,1</sup> = drill dia	d = shank dia	D	K	kg/1000	ORDER CODE	BOX Small	BOX Large
M4	UKO20 KN	0,5-2,0	11,0	6,0	6,0	6,5	0,5	1,1	5442207	(500)	10000
M5	UKO30 KN	0,5-3,0	12,0	7,0	7,0	7,5	0,5	1,5	5454007	(500)	5000
	UKO50 KN	3,0-5,0	15,0						5454207*	-	5000
M6	UKO30 KN	0,5-3,0	14,5	9,0	9,0	9,5	0,5	3,4	5464007	(500)	3000
	UKO50 KN	3,0-5,0	16,5						5464207*	-	2500
M8	UKO30 KN	0,5-3,0	16,0	11,0	11,0	11,5	0,5	5,0	5481607	(500)	2000
	UKO55 KN	3,0-5,5	18,5						5481807*	-	1500
M10	SKO35 KN	0,8-3,5	21,0	13,0	13,0	13,5	0,7	8,5	5406207*	-	1000

Small box: only for DFS customers, not export - (xxx) handling cost can be charged

\* **Non-stock item:** minimum order quantity required after depletion of stock

KN programme in progress, also possible in SS316Cu

All dimensions in mm - Technical data subject to modification

Tolerances and characteristics see chapter 'Technical Information'

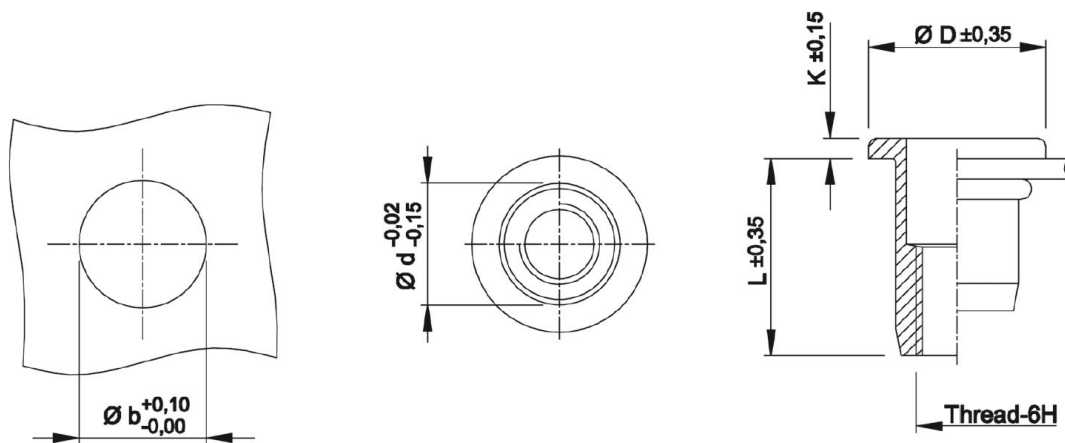


## Technical Data

### ● General tolerances

	Head form	Dimensions in mm	Dimensions in inches
D (head diameter)	Flat head Countersunk head Low profile head	$\pm 0,35$ 0 -0,5 -0,15 +0,3	$\pm.014$ 0 -.020 -.006 +.012
K (head thickness)	Flat head Countersunk head Low profile head	$\pm 0,15$ 0 +0,3 -0,05 +0,3	$\pm.006$ 0 +.012 -.002 +.012
L (length)	General Stainless M10 shank 13 mm	$\pm 0,35$ $\pm 0,5$	$\pm.014$ $\pm.020$
Metric thread= 6H			
Shank size	General (incl. KN) Splined shank (RS) M10 shank 12,4 mm	-0,02 -0,15 $\pm 0,08$ $\pm 0,08$	-.001 -.006 $\pm.003$ $\pm.003$

Example:



### ● Recommended tightening torque values (Nm)

Max. recommended torque to avoid damaging the threaded connection and ensure optimal screw-nut assembly:

	M3	M4	M5	M6	M8	M10	M12
Aluminium	2,0	2,2	4,5	9,5	17,0	30,0	
Steel	2,5	3,0	5,9	11,0	25,0	49,0	80,0
Stainless Steel	2,5	3,0	5,9	11,0	25,0	49,0	80,0

Recommendations for 8.8 bolts in steel and class A2-70 bolts in stainless steel.