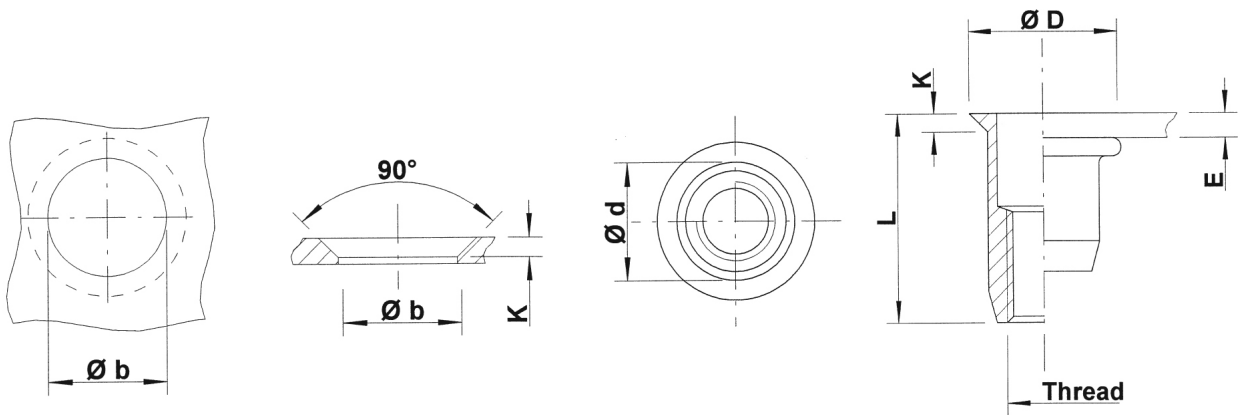




Stainless Steel 304

Round shank
Countersunk head
Open end

UFO / SFO



THREAD	TYPE	E = grip	L	b ^{+0,1} = drill dia	d = shank dia	D	K	kg/1000	ORDER CODE	BOX Small	BOX Large
M4	UFO30	1,2-3,0	12,0	6,0	6,0	8,0	1,0	1,3	544120	(500)	7500
M5	UFO35	1,2-3,5	12,0	7,0	7,0	9,0	1,0	1,6	545200	(500)	5000
M6	UFO45	1,7-4,5	17,0	9,0	9,0	12,0	1,5	4,2	546125	(500)	2000
	UFO65	4,5-6,5	19,0					4,5	546130*	(500)	2000
M8	UFO45	1,7-4,5	17,5	11,0	11,0	14,0	1,5	5,5	548070	(500)	1250
	UFO65	4,5-6,5	19,5					5,8	548075	(500)	1250
M10	UFO45	1,7-4,5	20,0	12,1	12,0	15,0	1,5	5,9	540090	(100)	1000
M10	SFO45	1,7-4,5	22,5	13,0	13,0	16,0	1,5	9,5	540610	(100)	750
M12	UFO55	2,0-5,5	27,0	16,0	16,0	19,0	1,8	18,0	542260*	(100)	400

Small box: only for DFS customers, not export - (xxx) handling cost can be charged

* **Non-stock item:** minimum order quantity required after depletion of stock

All dimensions in mm - Technical data subject to modification
Tolerances and characteristics see chapter 'Technical Information'

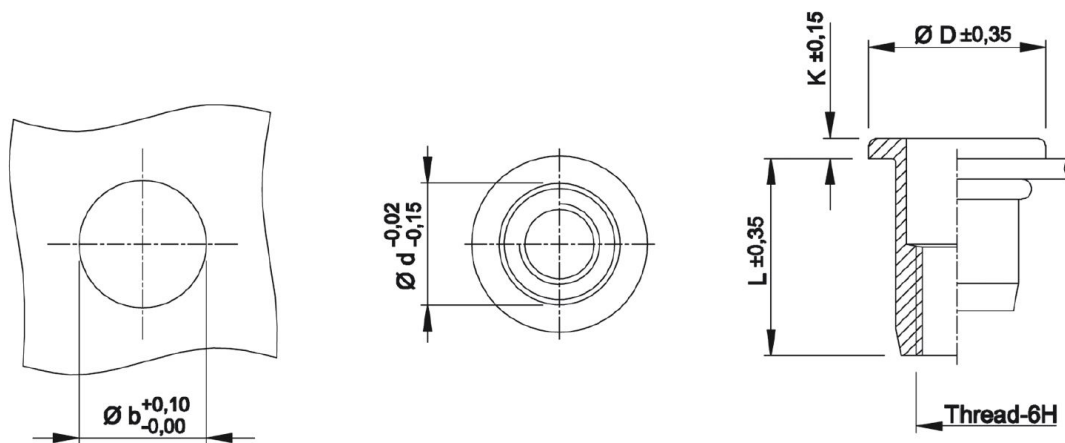


Technical Data

● General tolerances

	Head form	Dimensions in mm	Dimensions in inches
D (head diameter)	Flat head Countersunk head Low profile head	$\pm 0,35$ 0 -0,5 -0,15 +0,3	± 0.014 0 -0.020 -0.006 +0.012
K (head thickness)	Flat head Countersunk head Low profile head	$\pm 0,15$ 0 +0,3 -0,05 +0,3	± 0.006 0 +0.012 -0.002 +0.012
L (length)	General Stainless M10 shank 13 mm	$\pm 0,35$ $\pm 0,5$	± 0.014 ± 0.020
Metric thread= 6H			
Shank size	General (incl. KN) Splined shank (RS) M10 shank 12,4 mm	-0,02 -0,15 $\pm 0,08$ $\pm 0,08$	-0.001 -0.006 ± 0.003 ± 0.003

Example:



● Recommended tightening torque values (Nm)

Max. recommended torque to avoid damaging the threaded connection and ensure optimal screw-nut assembly:

	M3	M4	M5	M6	M8	M10	M12
Aluminium	2,0	2,2	4,5	9,5	17,0	30,0	
Steel	2,5	3,0	5,9	11,0	25,0	49,0	80,0
Stainless Steel	2,5	3,0	5,9	11,0	25,0	49,0	80,0

Recommendations for 8.8 bolts in steel and class A2-70 bolts in stainless steel.