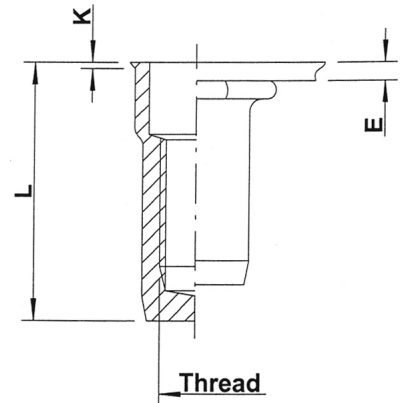
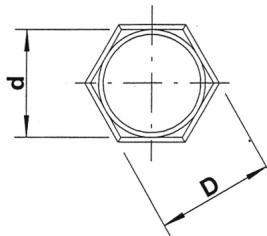
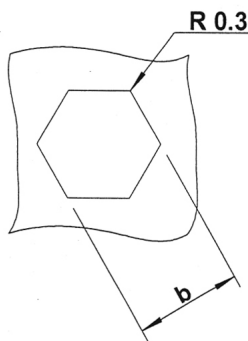




## Stainless Steel 304

Semi-hexagonal shank  
Low profile head  
Closed end

HUKX / HSKX



THREAD	TYPE	E = grip	L	b <sup>+0,1</sup> = hex hole	d = hex shank	D = hex head	K	kg/1000	ORDER CODE	BOX Small	BOX Large
M4	HUKX20	0,5-2,0	15,5	6,0	6,0	6,5	0,5	1,8	544620	(500)	5000
	HUKX30	2,0-3,0	16,5					1,9	544640*	-	5000
M5	HUKX30	0,5-3,0	18,0	7,0	7,0	7,5	0,5	2,7	545620	(500)	4000
	HUKX50	3,0-5,0	20,5					2,9	545640	(500)	3000
M6	HUKX30	0,5-3,0	21,5	9,0	9,0	9,7	0,5	5,7	546540	(500)	2000
	HUKX50	3,0-5,0	23,5					6,1	546565	(500)	2000
	HUKX70	5,0-7,0	25,5					6,5	546590*	-	1500
M8	HUKX30	0,5-3,0	24,0	11,0	11,0	11,8	0,5	8,7	548320	(500)	1000
	HUKX55	3,0-5,5	26,5					9,1	548340	(500)	1000
	HUKX80	5,5-8,0	29,0					9,5	548350*	-	750
M10	HSKX35	0,8-3,5	29,5	13,0	13,0	13,8	0,7	14,2	540660	(100)	700
	HSKX60	3,5-6,0	32,0					15,2	540670*	-	500
M12	HUKX70	4,0-7,0	39,0	16,0	16,0	17,5	1,1	28,7	542880	(100)	300

Small box: only for DFS customers, not export - (xxx) handling cost can be charged

\* **Non-stock item:** minimum order quantity required after depletion of stock

All dimensions in mm - Technical data subject to modification  
Tolerances and characteristics see chapter 'Technical Information'

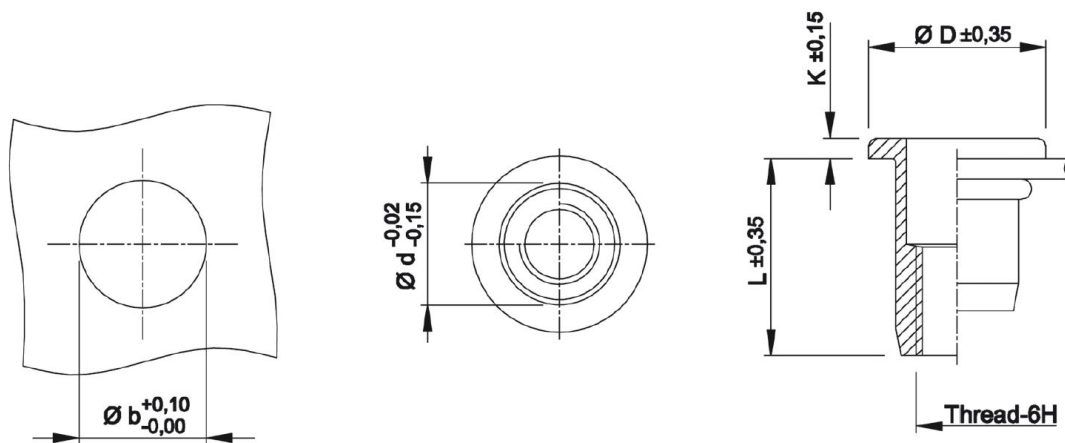


## Technical Data

### ● General tolerances

	Head form	Dimensions in mm	Dimensions in inches
D (head diameter)	Flat head Countersunk head Low profile head	$\pm 0,35$ 0 -0,5 -0,15 +0,3	$\pm.014$ 0 -.020 -.006 +.012
K (head thickness)	Flat head Countersunk head Low profile head	$\pm 0,15$ 0 +0,3 -0,05 +0,3	$\pm.006$ 0 +.012 -.002 +.012
L (length)	General Stainless M10 shank 13 mm	$\pm 0,35$ $\pm 0,5$	$\pm.014$ $\pm.020$
Metric thread= 6H			
Shank size	General (incl. KN) Splined shank (RS) M10 shank 12,4 mm	-0,02 -0,15 $\pm 0,08$ $\pm 0,08$	-.001 -.006 $\pm.003$ $\pm.003$

### Example:



### ● Recommended tightening torque values (Nm)

Max. recommended torque to avoid damaging the threaded connection and ensure optimal screw-nut assembly:

	M3	M4	M5	M6	M8	M10	M12
Aluminium	2,0	2,2	4,5	9,5	17,0	30,0	
Steel	2,5	3,0	5,9	11,0	25,0	49,0	80,0
Stainless Steel	2,5	3,0	5,9	11,0	25,0	49,0	80,0

Recommendations for 8.8 bolts in steel and class A2-70 bolts in stainless steel.