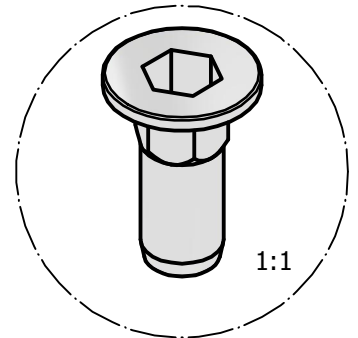
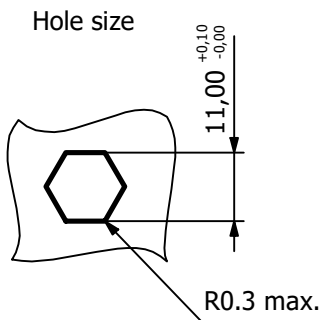
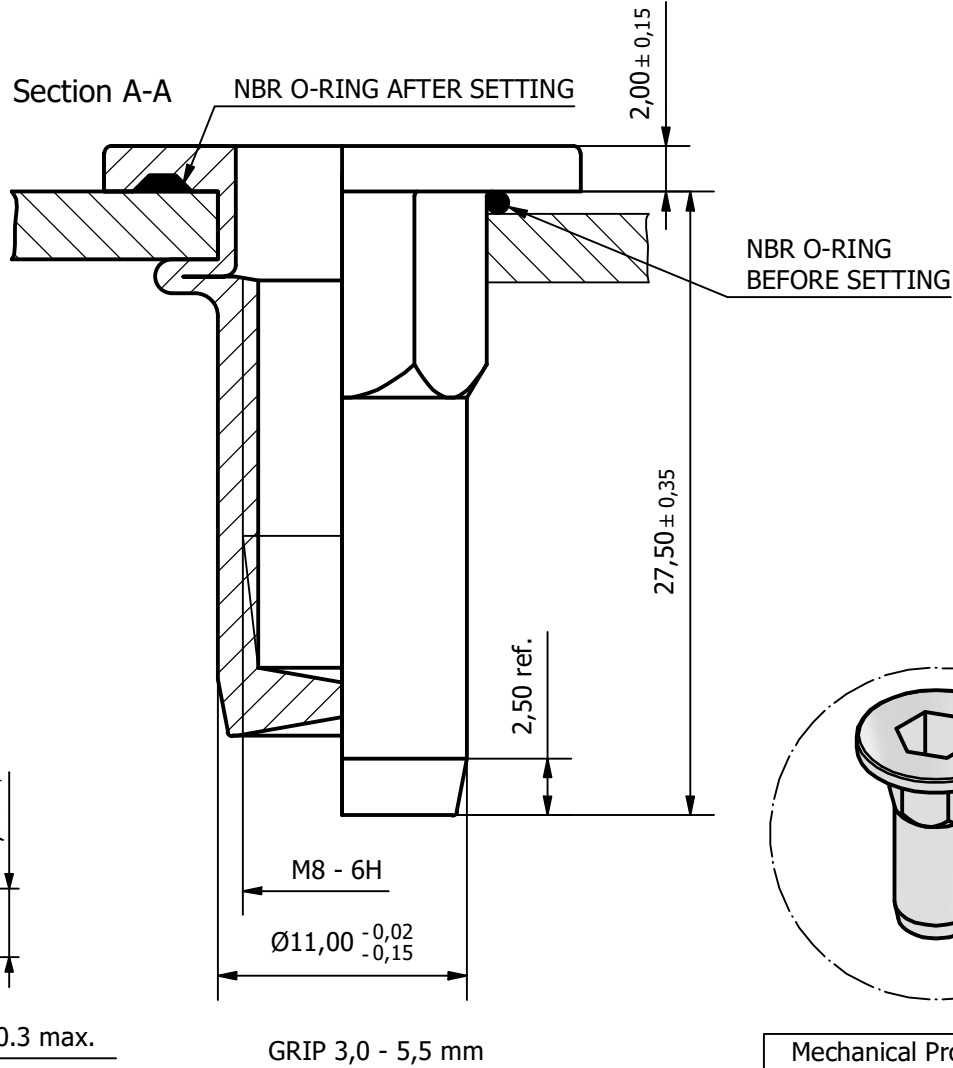
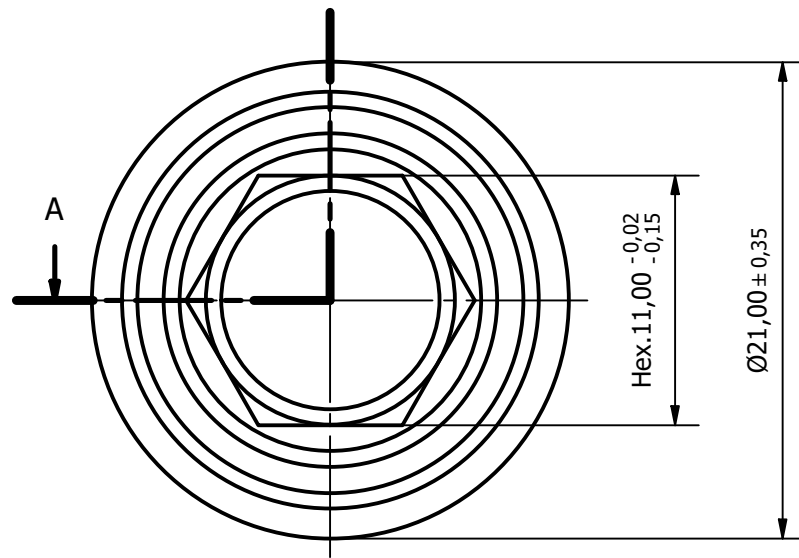


This drawing is property of Dejongd. No reproduction without written permission!

Watertight: IP 68 guaranteed under Dejongd test conditions



Mechanical Properties O-ring	
Hardness	70 Shore A

REV	DESCRIPTION	STATUS	APPROVED	DATE
B	mentioning of type O-ring and the hardness	Released	Janm	12/03/2021

Finish / Coating : Polished

Name	Date	Material : Stainless steel 304 Cu
Designed by	Simon	12/03/2021
A4		Scale
		3 : 1
Art. Nr. Cust. :		Weight : ± 13,7 g
Customer Draw.		

**Tubtara**<sup>®</sup>  
BLIND RIVET NUTS  
A BRAND BY DEJOND NV

Art. Nr. : 548905  
Draw. Nr. : 304 M8 HX 5501 NBR

