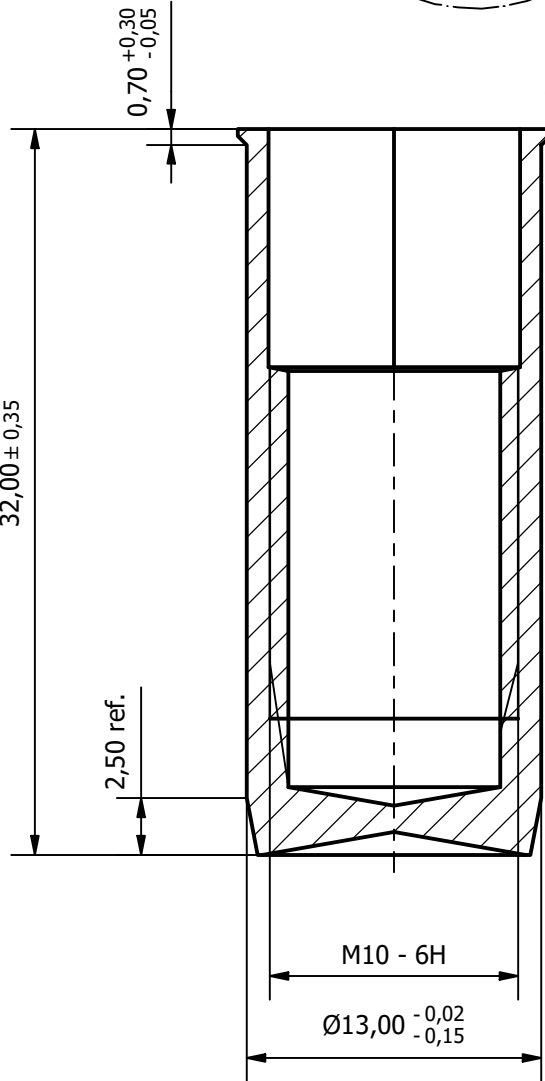
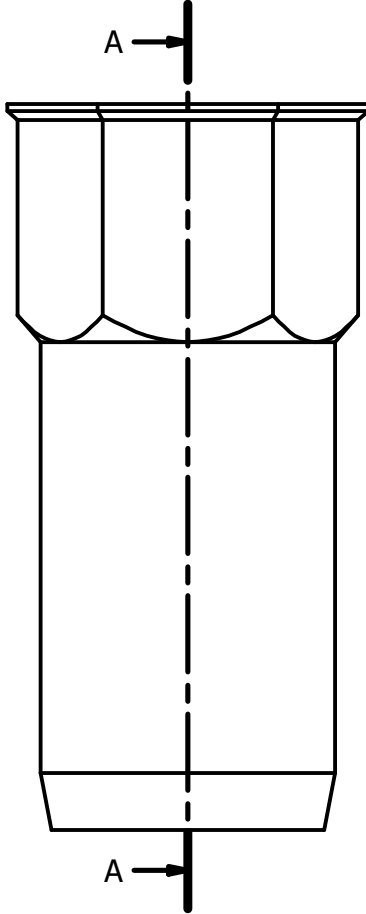
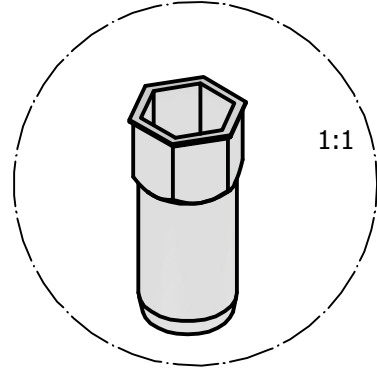
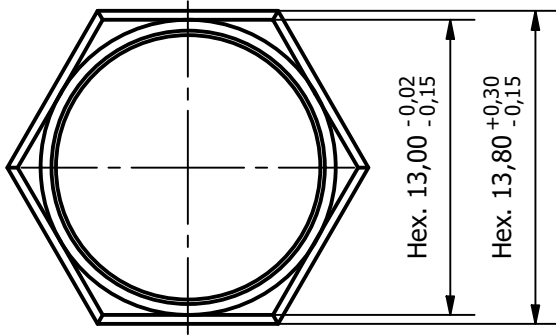
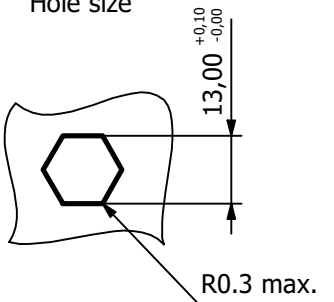



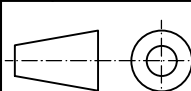
This drawing is property of Dejongd. No reproduction without written permission!



Hole size



GRIP 3,5 - 6,0 mm

REV	DESCRIPTION			STATUS	APPROVED	DATE
A				Released	Janm	5/08/2022
Finish / Coating : Polished				 Tubtara [®] BLIND RIVET NUTS A BRAND BY DEJOND NV		
	Name	Date	Material : Stainless steel 304 Cu			
Designed by	simon	05/08/2022	Sp. Treat. :	Art. Nr. : 540670		
A4		Scale 3 : 1	Art. Nr. Cust. :	Draw. Nr. : 304 M10 HSKX 60		
			Weight : ± 15,0 g			