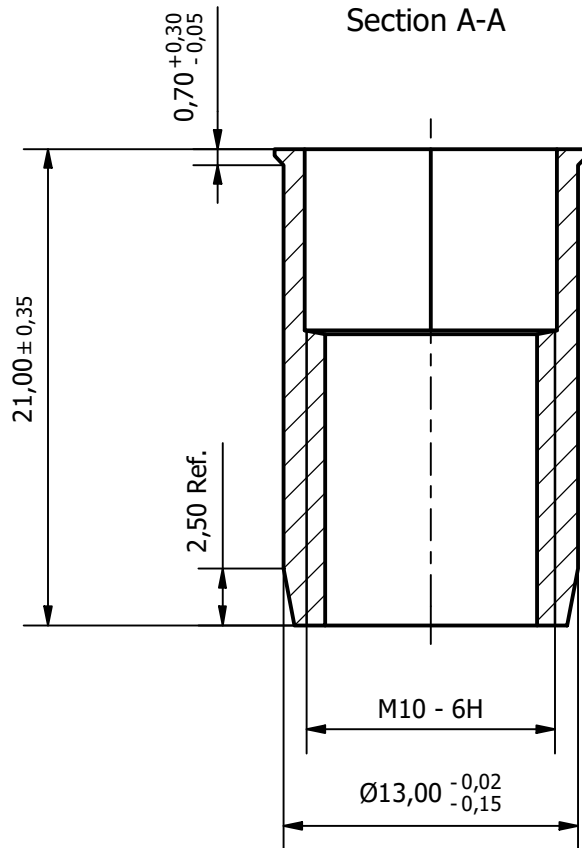
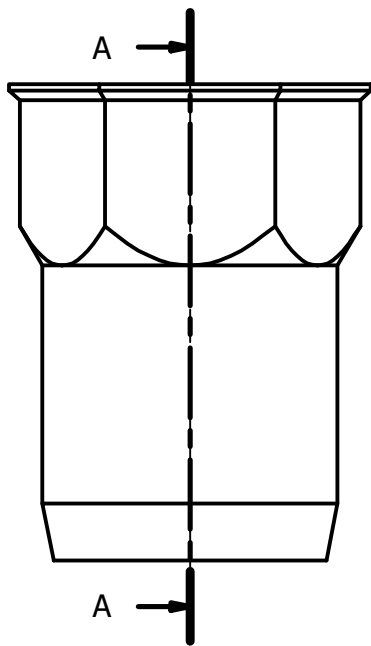
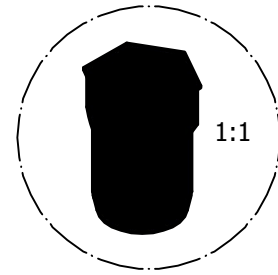
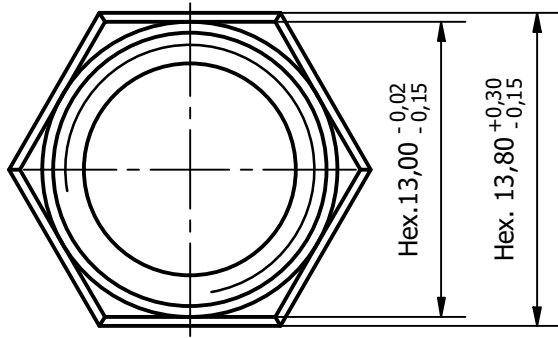
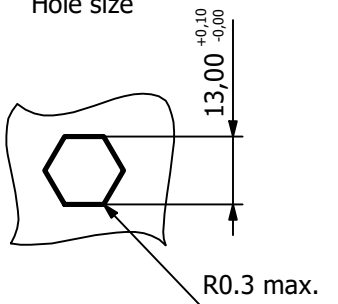



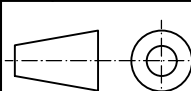
This drawing is property of Dejongd. No reproduction without written permission!



Hole size



GRIP 0,8 - 3,5 mm

REV	DESCRIPTION		STATUS	APPROVED	DATE
A			Released	Janm	21/11/2019
Finish / Coating : Polished			 <b>Tubtara</b> <sup>®</sup> BLIND RIVET NUTS <small>A BRAND BY DEJOND NV</small>		
	Name	Date			
Designed by	Simon VL	6/08/2019	Sp. Treat. :	Art. Nr. : 540640	
A4		Scale 3 : 1	Art. Nr. Cust. :	Draw. Nr. :	
			Weight : ± 8,8 g	Customer Draw.	304 M10 HSKO 35